

# CPR-5222-1M1

## 5250W Blade Server Power Supply AC to DC Redundant



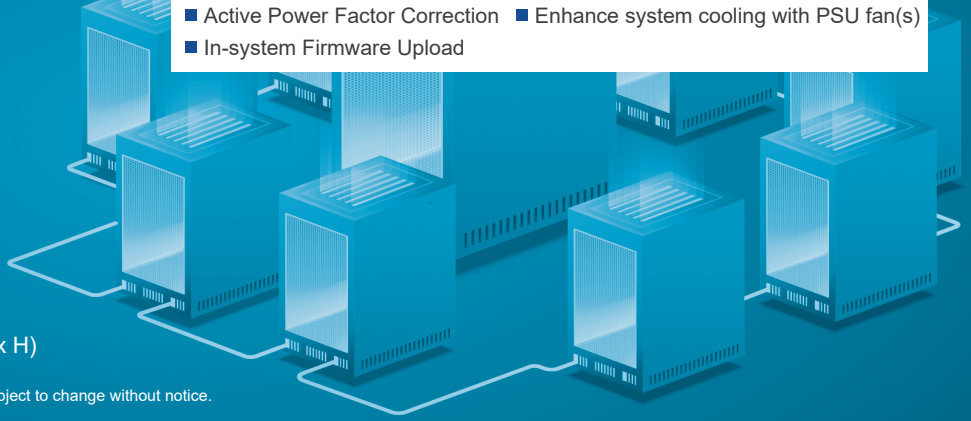
### FEATURES

- High Efficiency: 96%
- Hot Swappable
- PMBus Support
- Smart Fan Speed Control
- Active Power Factor Correction
- In-system Firmware Upload
- Follows IPC-9592B Class I guidelines
- Supports up to 8 PSUs in parallel
- Offers 155% load peak power for 500  $\mu$ s
- Space-saving with higher power output
- Enhance system cooling with PSU fan(s)



■ Dimension : 245.3 x 106.5 x 82.1 mm (D x W x H)

▲ Product details and image are for reference and final product is subject to change without notice.



## SPECIFICATIONS

### ► INPUT

Voltage	AC input: 180 - 264 Vac
Frequency	47 - 63Hz
Current	AC 220 - 240 / 16 - 14.4A x2 AC 180 - 264 / 17.1 - 11.7A x2

### ► EFFICIENCY, PFC, THD

Load (%)	Power Factor	Total Efficiency	THD
10%	0.90	90%	20%
20%	0.96	94%	15%
40%	0.96	95%	8%
50%	0.98	96%	6%
100%	0.99	93%	6%

### ► OUTPUT

Parameter	54V	12V	12Vsb
Max Load	97.2A	125A	4A
Regulation	±3%	±5%	±5%
Ripple & Noise	500mVp-p	150mVp-p	150mVp-p

### ► PROTECTION, RELIABILITY, WARRANTY

Over Current Protection (OCP)  
Over Power Protection (OPP)  
Over Voltage Protection (OVP)  
Over Temperature Protection (OTP)  
Holdup Time: 11msec @ 75% Load  
MTBF: >1,000,000 hours @ 30°C  
Warranty: 3 Years

### ► ENVIRONMENTAL

Temperature	Operating : 0 to 55°C Non-operating : -40 to 70°C
Altitude	Operating: to 16,500 feet (5,000 meters) Non-operating: to 35,000 feet (10,580 meters)
Relative Humidity	Operating: 20% to 90% RH, Non-condensing Storage: 5% to 95% RH, Non-condensing

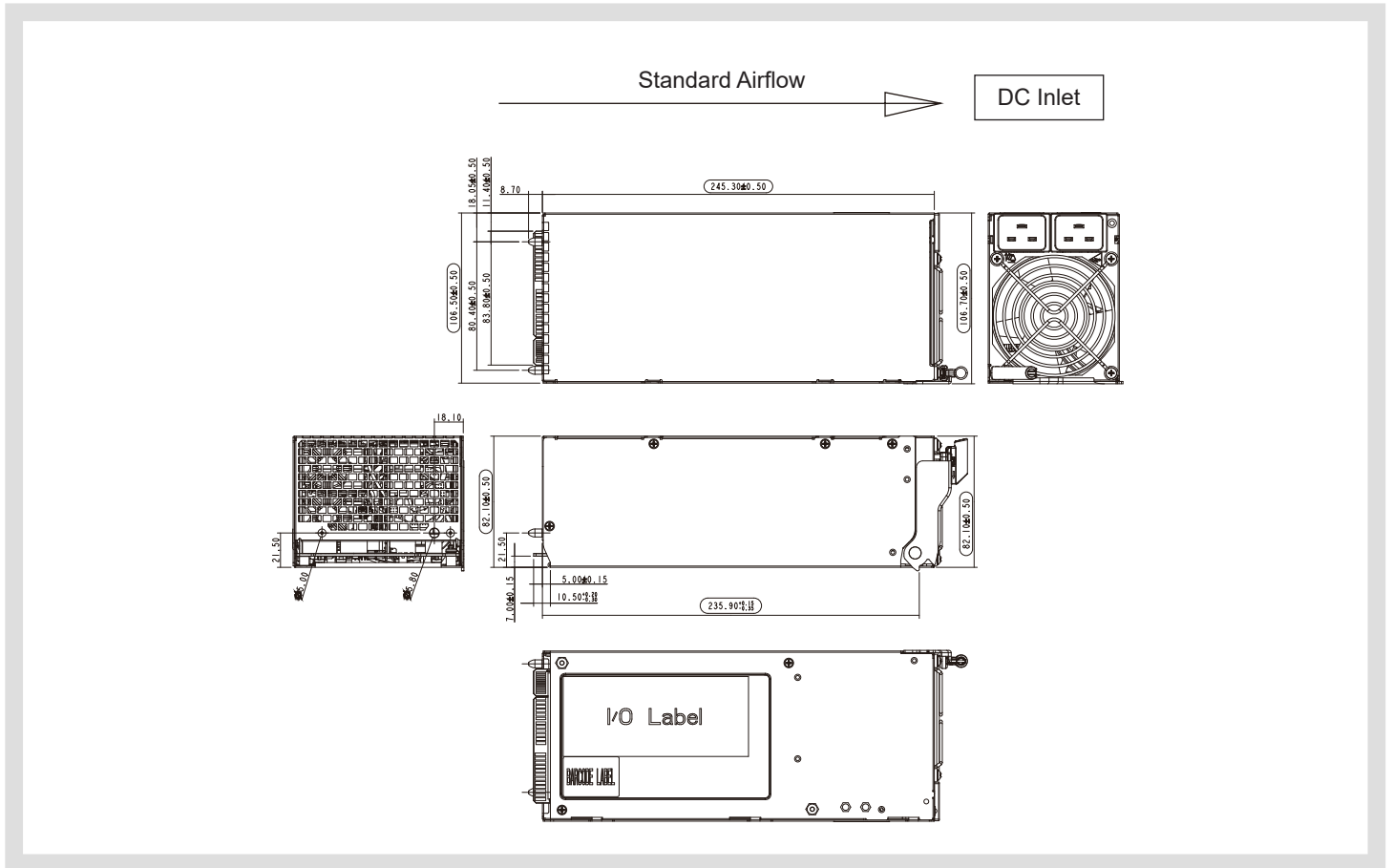
## SAFETY AND COMPLIANCE

UL, C-UL, CE, CQC 5000m, FCC class A, CISPR Class A, BSMI, RoHS, REACH

# CPR-5222-1M1



## MECHANICAL DRAWING



### CONNECTORS

AC Inlet	2 independent IEC 320 C-20(20A / 250 VAC), (16A/250Vac VDE)
DC Output	Gold Finger
DC Output Mating	Amphenol eHPCE 26P+22S (vertical) or (right angle)

### OUTPUT CONNECTOR PIN ASSIGNMENTS

PIN#	Signal Name	PIN#	Signal Name	PIN#	Signal Name	PIN#	Signal Name	PIN#	Signal Name	PIN#	Signal Name
S1	SMBAlert	S9	+12V-RS	MP6	+54V	S22	Ishare_54V	S14	Ishare_12V	MP19	GND
S2	I2C SDA2	S10	12Vsb	MP7	Skip	S21	I2C SCL2	S13	Present_L	MP20	Skip
S3	DC GOOD	S11	12Vsb	MP8	GND	S20	PSON	S12	54V RS	MP21	54V
S4	M1_Active 1	MP1	+12V	MP9	GND	S19	M2_Active2	MP14	GND	MP22	54V
S5	I2C SCL1	MP2	+12V	MP10	GND	S18	I2C SDA1	MP15	GND	MP23	54V
S6	A2	MP3	+12V	MP11	GND	S17	A1	MP16	GND	MP24	12V
S7	Battery ID	MP4	+54V	MP12	GND	S16	A0	MP17	GND	MP25	12V
S8	Wakeup_bus	MP5	+54V	MP13	GND	S15	Reserved	MP18	GND	MP26	12V



Compuware Technology Inc.

Tel: 886-2-8226-3936 Address: 5F., No. 232, Liancheng Rd., Zhonghe Dist., New Taipei City 235, Taiwan (R.O.C.)



[www.compuware-us.com](http://www.compuware-us.com)